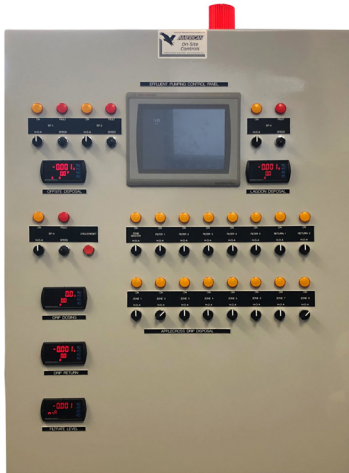




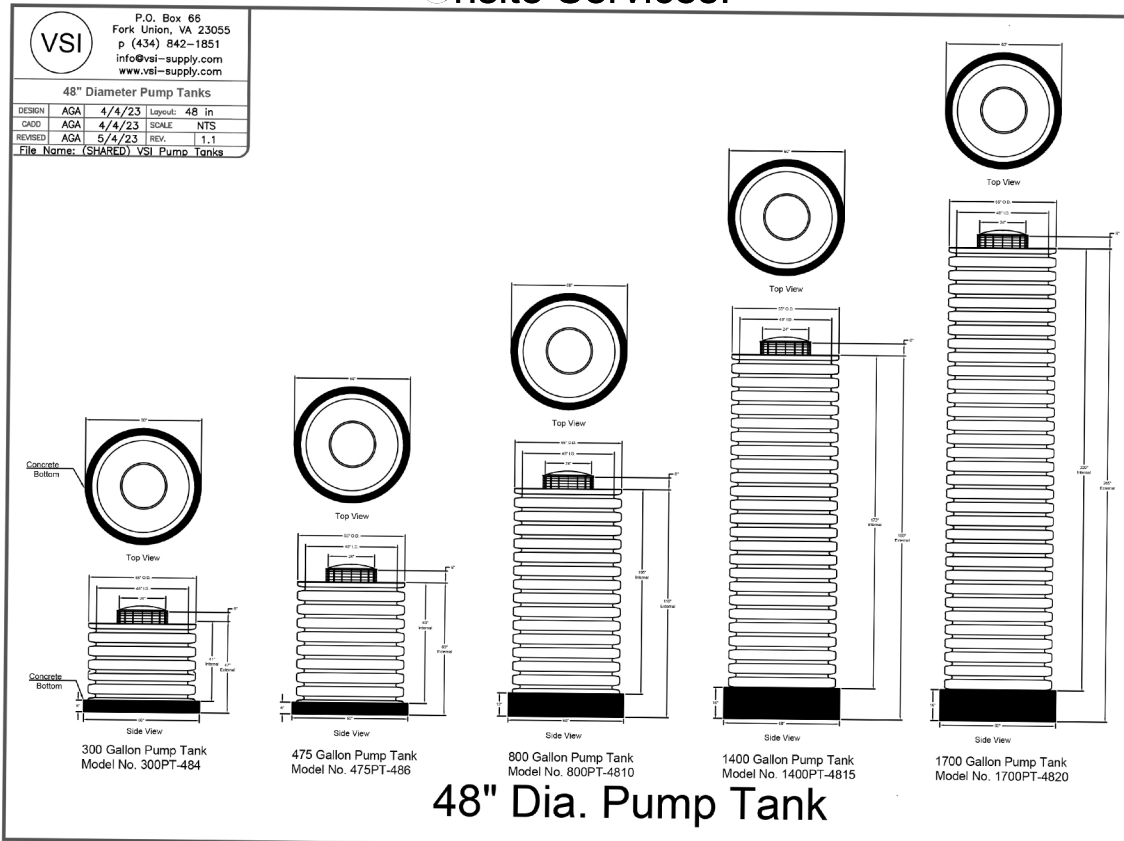
PillarLIFT

Built Strong Custom

PillarLIFT Custom allows engineers and developers to get exactly what they want when they want it. By designing a complete pumping station through PillarLIFT Custom, you get a complete prefabricated pumping station with support and documentation that gets you through approvals quickly.



PillarLIFT Custom can use Poly or Fiberglass Tanks, most any brand of pump and configuration, and control panels and monitoring equipment that fit your project's needs. PillarLIFT Custom also gives you upfront costing and affordability. Made in Virginia, these prefabricated pump tanks come to the jobsite ready to install. Contractors will appreciate the ease of installation and Free Onsite Services.



[wastewater solutions]

P.O. Box 66
Fork Union, VA 23055

phone (434) 842-1851
info@vsi-supply.com



P.O. Box 66
 Fork Union, VA 23055
 p (434) 842-1851
 info@vsi-supply.com
 www.vsi-supply.com

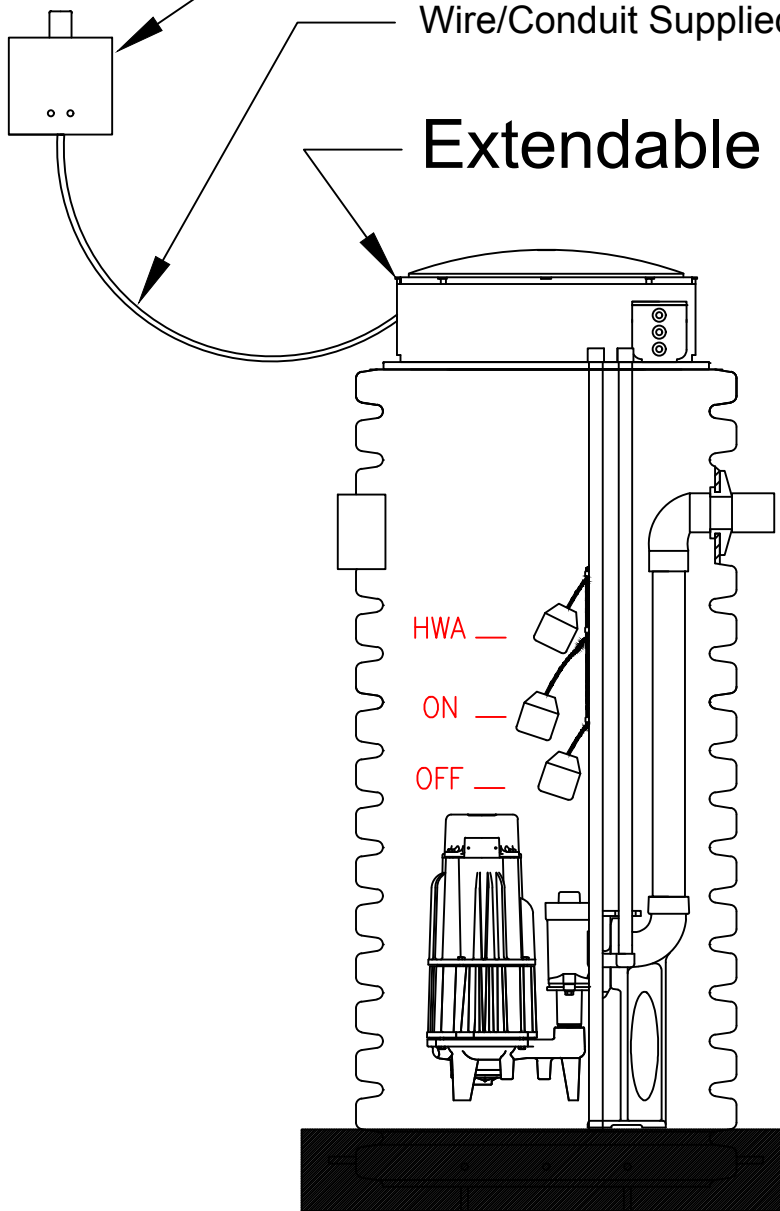
PillarLIFT CUSTOM

DESIGN	AGA	4/29/23	Drawing: Portrait
CADD	AGA	4/29/23	SCALE: NTS
REVISED	AGA	4/29/23	REV. 1.0
File Name: (SHARED) PillarLIFT_CUSTOM			

Control Panel

Wire/Conduit Supplied By Others

Extendable Riser System



Choose

- Pump Tank
- Pump
- Alternating or Lead/Lag
- Simplex, Duplex, Triplex or Quadplex
- Remote Operations & Monitoring

Concrete Bottom

PillarLIFT Custom
Pre-Fab Sewer Grinder System